

Bayonet Bulb Socket Catalog



CONTENTS

- Indexing Sockets
- Non-Indexing Sockets
- Slotted Sockets

trans-matic
trans-matic

300. E. 48th St. Holland, MI

www.transmatic.com

Trans-Matic Manufacturing Socket Catalog Introduction

For years Trans-Matic has been recognized as a proven supplier of lighting and power sockets to the most recognized names in the Automotive, Truck, Off-Road, Heavy Equipment, Bus, Marine, and Motorcoach industries.

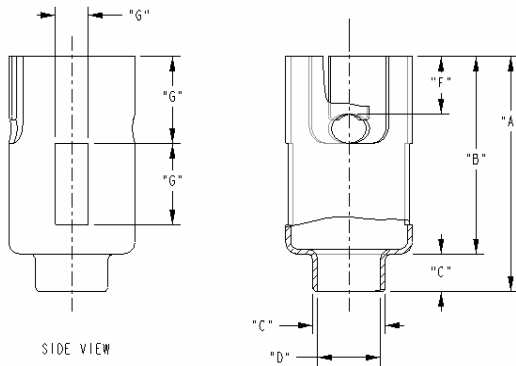
This catalog introduces you to our wide ranging product line. With our proprietary tooling, we can produce an amazing number of socket design variations. We provide our customers with sockets in a variety of materials: plated steel, stainless steel, brass, and copper. If you cannot find the exact socket to fill your needs, please call us, chances are we can provide you with a custom product that will meet your need.*

We can be reached at:

Trans-Matic Manufacturing
300 East 48th Street
Holland, Michigan 49423

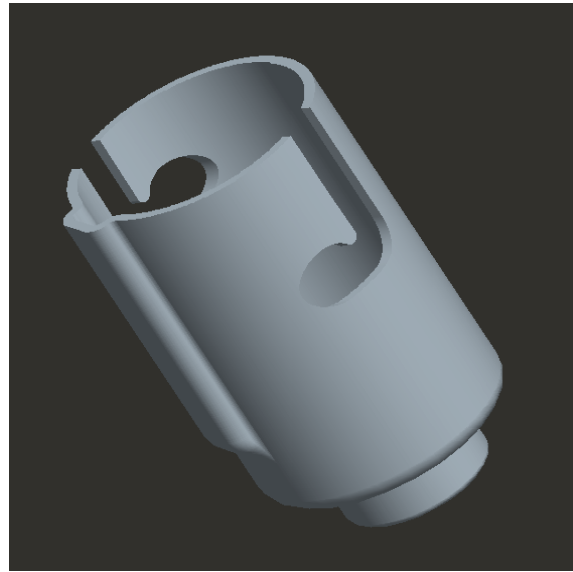
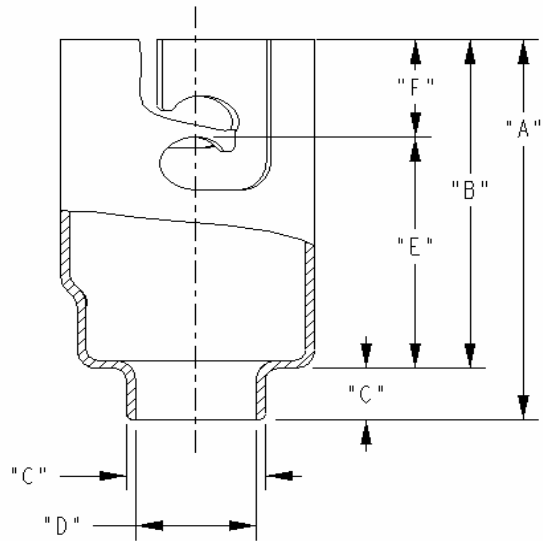
Phone: 616.820.2500
Fax: 616.820.2702
E-mail: sales@transmatic.com
Online: www.transmatic.com

* Minimum production run quantities may apply.



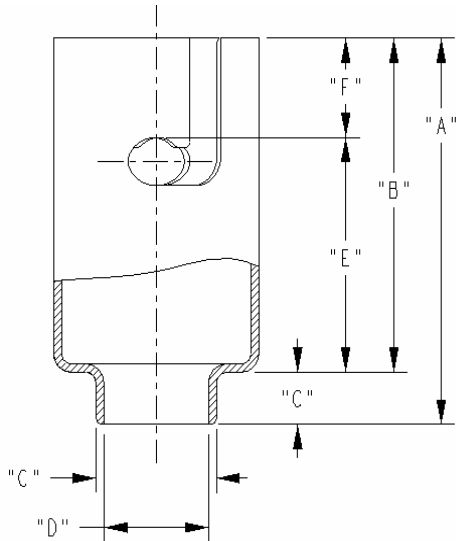
SLOTTED SOCKETS

		Dim. "A"		Dim. "B"		Dim. "C"		Dim. "D"		Dim. "F"		Dim. "G"	
Trans-Matic Part Number	Matl.	O.A.L.	Body Length	Neck Length	Neck O.D.	Pierce I.D.	J type	J Length	Slot Length	Slot Width	Trim to Slot		
E009S0111	CRS		.980-.990	.183-.193	N/A	.320-.330	E	.283-.293	.401-.411	.165-.175	.430-.440		
E009S0121	CRS	.980-.990	.980-.990	N/A	N/A	.370-.380/.314-.319	E	.283-.293	.401-.411	.165-.175	.430-.440		
E009S0130	CRS	N/A	.932-.942	.135-.145	.401-.411	N/A	E	.195-.205	.432-.442	.151-.161	.307-.317		
E009S0131	CRS	N/A	.932-.942	.135-.145	.401-.411	N/A	E	.195-.205	.432-.442	.151-.161	.307-.317		
E009S0151	CRS	(.970-.990)	.945-.965	N/A	N/A	.370-.390	U	.283-.293	(.635-.645)	.125-.135	.170-.180		



INDEXING SOCKETS

		Dim. "A"	Dim. "B"	Dim. "C"		Dim. "D"	Dim. "E"	Dim. "F"			
Trans-Matic Part Number	Matl.	O.A.L.	Body Length	Neck Length	Neck O.D.	Pierce I.D.	Top of pin seat to bottom of body	J type	J Length	J Offset	Rib Length
E009R0001	BRASS	(1.375)	(1.000)	.365-.385	.383-.387	N/A	.698-.708	U	.292-.302	.117-.133	N/A
E009R0340	CRS	(1.237)	1.012-1.022	.190-.200	N/A	.370-.380	N/A	U	.283-.293	.117-.133	.810-.830
E009R0350	CRS	(1.303)	(1.042)	.255-.265	N/A	.370-.380	N/A	U	.283-.293	.117-.133	.810-.830
E009R0411	CRS	(1.215)	(1.015)	.195-.205	.372-.377	N/A	.717-.727	U	.283-.303	.117-.133	.790-.800
E009R0441	CRS	(1.156)	(1.000)	.151-.161	.383-.387	.340 MIN	.698-.708	U	.292-.302	.117-.133	.750 MIN.
E009R0521	CRS	1.160-1.170	.970-.985	(.1875)	.420-.430	N/A	N/A	U	.285-.295	.117-.133	.812 MIN.
E009R0531	CRS	.979-.989	.979-9.89	N/A	N/A	.388-.398 SQ	.695-.705	E	.283-.293	N/A	.875 MIN.
E009R0541	CRS	(1.13)	.945-.955	.175-.185	.370-.375	N/A	N/A	E	.280-.290	N/A	.750 MIN.
E009R0611	CRS	(1.2375)	(1.0185)	.214-.224	N/A	.278-.283	.722-.732	U	.283-.300	.117-.133	.750 MIN.
E009R0631	BRASS	(1.205)	(1.0185)	.182-.192	N/A	.370-.375	.722-.732	U	.283-.300	.117-.133	N/A
E009R0641	CRS	(1.205)	(1.0185)	.182-.192	N/A	.370-.375	.722-.732	U	.283-.300	.117-.133	.750 MIN.
E009R0661	CRS	(1.0185)	(1.0185)	N/A	N/A	.396-.400	.722-.732	U	.283-.300	.117-.133	(.750)
E009R0751	CRS	.946-.994	.964-.994	N/A	N/A	.291-.301	N/A	U	.283-.293	.117-.133	.750 MIN.
E009R0781	CRS	1.81-1.206	1.001-1.026	(.190)	.420-.430	N/A	N/A	U	.283-.293	.117-.133	.840 MIN.
E009R0851	CRS	(1.0185)	1.0183	N/A	N/A	SPEC.	.722-.732	E	.283-.300	N/A	(.75)
E009R0921	CRS	.963-.998	.963-.998	N/A	N/A	.248-.258	.655-.675	E	.283-.298	N/A	.797-.827
E009R0931	CRS	(1.0185)	1.0185	N/A	N/A	.276-.286	.722-.732	U	.283-.300	.117-.133	(.75)
E009R0990	BRASS	(1.0185)	1.0185	N/A	N/A	.396-.400	.722-.732	U	.283-.300	.117-.133	(.750)
E009R1040	CRS	(1.000)	1.000	N/A	N/A	.380-.395	.698-.708	U	.292-.302	.117-.133	.750 MIN.
E009R1051	CRS	(1.140)	.950-.960	.175-.185	.420-.430	N/A	N/A	E	.283-.293	N/A	.840 MIN.
E009R1071	CRS	(1.125)	(.985)	.284-.294	N/A	.371-.381	.692-.702	E	.284-.294	N/A	.750 MIN.
E009R1081	CRS	(1.125)	(.985)	.085-.095 SPD	N/A	.370-.380	.692-.702	U	.284-.294	.117-.133	.750 MIN.
E009R1091	CRS	(1.368)	(.985)	.085-.095 SPD	N/A	.307-.317 or .370-.380	.692-.702	U	.284-.294	.117-.133	.750 MIN.
E009R1101	CRS	(1.368)	(.985)	.085-.095 SPD	N/A	.307-.317 or .370-.380	.692-.702	U	.284-.294	.117-.133	.750 MIN.
E009R1111	CRS	(1.368)	(.985)	.085-.095 SPD	N/A	.307-.317 or .370-.380	.692-.702	U	.284-.294	.117-.133	.750 MIN.
E009R1151	CRS	(1.20)	1.018-1.028	.150-.170	.383-.387	N/A	.698-.708	U	N/A	.117-.133	.750 MIN.
E009R1161	CRS	(1.20)	1.018-1.028	.150-.170	.383-.387	N/A	.698-.708	E	N/A	N/A	.750 MIN.
E107R0021	CRS	(1.179)	1.055-1.085	NO	N/A	.370-.380	.682-.702	U	.283-.293	.117-.133	.750 MIN.
E107R0031	CRS	(1.320)	(1.227)	.088-.098	N/A	.370-.380	.730-.750	E	.283-.293	N/A	.797-.827
E107R0070	CRS	(1.145)	(1.145)	NO	N/A	.365-.375	.644-.654	E	.283-.293	N/A	.750 MIN.
E107R0080	CRS	(1.144)	(1.144)	NO	N/A	.115-.135 or .530-.560	.644-.654	U	.283-.293	.117-.133	.750 MIN.
E107R0101	CRS	(1.179)	1.055-1.085	NO	N/A	.370-.380	.682-.702	E	.283-.293	N/A	.750 MIN.
E107R0141	CRS	(1.370)	1.151-1.171	.100 MIN.	.412-.416	N/A	.838-.848	U	.238-.258	.117-.133	.750 MIN.
E107R0151	CRS	(1.305)	1.151-1.171	(.035)	(.512)	.372-.382	.838-.848	U	.238-.258	.117-.133	.750 MIN.
E107R0191	CRS	(1.1545)	(1.1545)	NO	N/A	.360-.365	.660-.675	E	.283-.293	N/A	.750 MIN.
E107R0201	CRS	(1.370)	N/A	.100 MIN.	.412-.416	N/A	.838-.848	E	.238-.258	N/A	.750 MIN.



NON- INDEXING SOCKETS

Bold PN's = Embossed	Mtl.	Dim. "A"	Dim. "B"	Dim. "C"		Dim. "D"	Dim. "E"	Dim. "F"	
		O.A.L.	Body Length	Neck Length	Neck O.D.	Pierce I.D.	Top of pin seat to bottom of body	J type	J Length
E009A0091	CRS	(1.167)	.924-.927	.220-.240	.368-.372	N/A	.645-.655	E	(.287)
E009A0141	CRS	(1.177)	.942-.952	.225-.235	.275-.305	N/A	N/A	E	.283-.293
E009A0161	CRS	.970-.990	.970-.990	N/A	N/A	.291-.296	(.662)	E	.293-.303
E009A0171	CRS	1.198-1.208	.660-.675	(.241)	.310-.314	N/A	.660-.675	E	.285-.299
E009A0221	CRS	(1.260)	(1.072)	.178-.198	.300-.310	N/A	.775-.795	E	.283-.293
E009A0251	CRS	1.198-1.208	(.983)	(.221)	N/A	.356-.360	.660-.675	E	.285-.295
E009A0310	CRS	.995-1.005	.995-1.005	N/A	N/A	.375-.385	N/A	E	.283-.293
E009A0320	CRS	(1.175)	.950-.960	.190-.200	N/A	.370-.380	N/A	E	.282-.292
E009A0330	CRS	(1.240)	.950-.960	.255-.265	N/A	.370-.380	N/A	E	.283-.293
E009A0411	CRS	(1.156)	(1.000)	.151-.161	.383-.387	.340 min	.698-.708	E	.292-.302
E009A0511	CRS	1.160-1.170	.970-.985	(.180-.190)	.420-.430	N/A	N/A	E	.285-.295
E009A0531	CRS	(1.2995)	(1.0185)	.276-.286	N/A	.370-.375	.722-.732	E	.283-.300
E009A0581	CRS	(1.2055)	(1.0185)	.182-.192	N/A	.370-.375	.722-.732	E	.283-.300
E009A0601	BRASS	(1.2055)	(1.0185)	.182-.192	N/A	.370-.375	.722-.732	E	.283-.300
E009A0611	CRS	(1.2375)	(1.0185)	.214-.224	N/A	.278-.283	.722-.732	E	.283-.300
E009A0821	CRS	(1.1985)	.963-.998	.213-.223	.307-.317	N/A	.655-.675	E	.283-.298
E107A0091	CRS	(1.302)	(1.227)	.060-.090	NO	.257-.267	.730-.750	E	.283-.293
E107A0131	BRASS	(1.179)	(1.179)	N/A	N/A	.266-.296	.655-.675	E	.237-.253
E107A0211	CRS	(1.12)	(1.12)	N/A	N/A	.276-.286	.668-.688	E	.283 MIN
E107A0321	CRS	(1.254)	(1.254)	N/A	N/A	.307-.317	.678-.698	E	.283-.293
E107A0391	CRS	1.057-1.067	(1.057-1.067)	N/A	N/A	.310-.314	(.671)	E	.169-.199
E107A0421	CRS	(1.305)	(1.108)	.187-.207	N/A	.370-.380	.675-.695	E	.168-.178
E107A0430	CRS	(1.208)	(1.208)	N/A	N/A	.358-.362	N/A	E	.142-.152
E012A0041	CRS	.776-.786	.683-.693	(.093)	.214-.224	N/A	N/A	E	.164-.174
E012A0100	CRS	(.813)	(.673)	.135-.145	.243-.247	N/A	.570-.590	E	.088-.098
E012A0241	CRS	(.803)	(.710)	.088-.098	.245-.255	N/A	(.565)	E	.140-.150
E012A0261	CRS	(.766)	.677-.677	.093 MIN.	.213-.217	N/A	.573-.583	E	(.094)
E012A0291	CRS	(.870)	.695-.725	.155-.165	.245-.255	N/A	.540-.560	E	.140-.150
E012A0310	CRS	N/A	.670-.690	.180-.190	.215-.221	N/A	.505-.515	E	.150-.160